



## CF-6V10



### CAREFREE RECHARGEABLE - LEAD ACID

|                     |                       |
|---------------------|-----------------------|
| <b>Product Name</b> | Sealed Lead Acid(SLA) |
| <b>Technology</b>   | AGM                   |

### APPLICATIONS

Airports; Emergency; Industrial; Medical;  
Military; Navigation; Railroad Signals;  
Residential; Security; Specialized Products;  
UPS/Lighting

### PERFORMANCE SPECIFICATIONS

|                             |    |
|-----------------------------|----|
| <b>Voltage (Volts)</b>      | 6  |
| <b>Capacity (Amp-Hours)</b> | 10 |

### DIMENSIONS AND WEIGHT

|                                  |      |
|----------------------------------|------|
| <b>Width/Diameter (Inches)</b>   | 1.97 |
| <b>Length/Depth (Inches)</b>     | 5.95 |
| <b>Height/Thickness (Inches)</b> | 3.7  |
| <b>Weight (Pounds)</b>           | 4.63 |

### PRODUCT NOTES

Terminal is tin plated brass, ABS case material

### SPECIFICATIONS CF-6V10

Nominal Voltage ..... 6V

Nominal Capacity at 77°F (25°C)

Voltage readings are per cell

20 Hour Rate

(0.50 amps to 1.75 volts) .... 10.00 ampere hours

10 Hour Rate

(0.93 amps to 1.75 volts)..... 9.30 ampere hours

5 Hour Rate

(1.60 amps to 1.75 volts)..... 8.00 ampere hours

1 Hour Rate

(6.80 amps to 1.60 volts)..... 6.80 ampere hours

1/2 Hour Rate

(10.5 amps to 1.60 volts)..... 5.25 ampere hours

Max. Physical Size:

Length ..... 5.95 inches (151mm)

Width ..... 1.97 inches (50mm)

Height (excluding terminals) ..... 3.70 inches (94mm)

Height (including terminals) .... 3.95 inches (100mm)

Weight ..... 4.63 lbs (2.10kg)

Energy Density

(20 Hour Rate): ..... 1.38 watt hrs/cu in

(20 Hour Rate): ..... 14.74 watt hrs/lbs

Operating Temperature Range:

Discharge .... -60°F to +140°F (-51°C to +60°C)

Charge ..... 0°F to +120°F (-18°C to +49°C)

Recharging Methods:

Float Charging: Constant Potential Source of 6.8 to 6.9 volts continuously.

Routine Charging: Constant Potential Source of 7.25 to 7.45 volts with a charging current of 2.8 ampere maximum.

Terminal: Standard is tin plated brass, positive terminal is

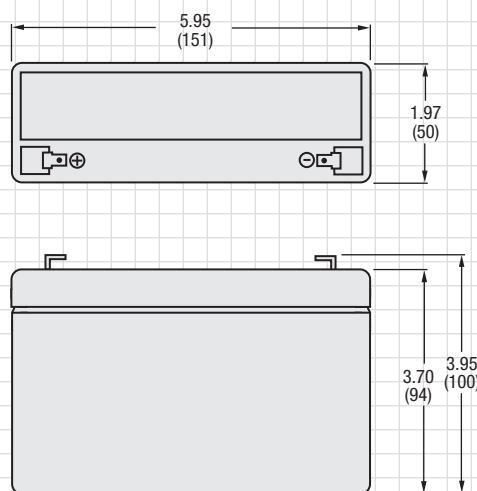
0.030 stock by 0.187 wide, negative terminal is

0.030 stock by 0.187 wide, mates with Amp Faston series or equal.

Case Material: ABS



### PRODUCT SCHEMATIC



Above data are average values which can be obtained within 3 charge/discharge cycles. These are not minimum values.